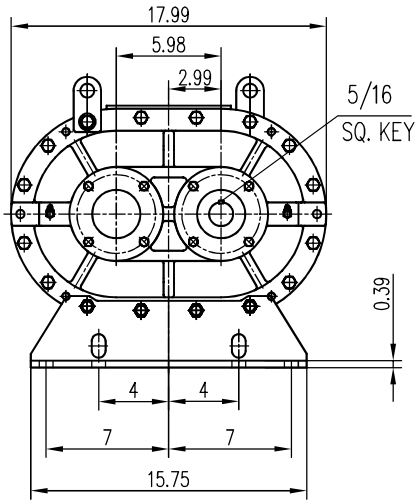


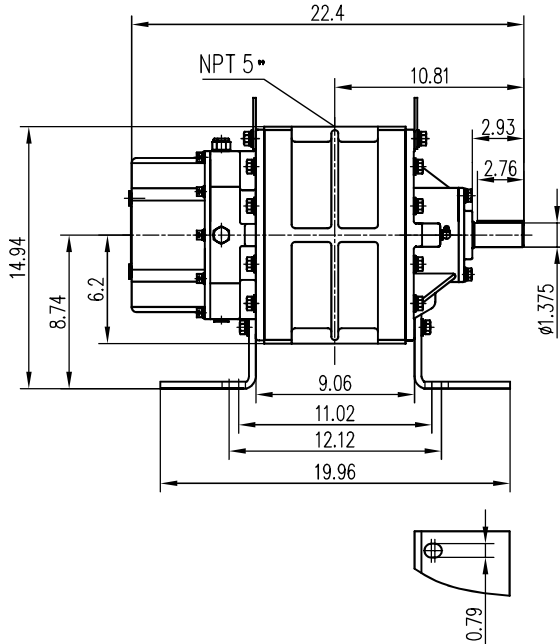
# ZZ6M

## Vertical Flow Configuration

Unit: inch



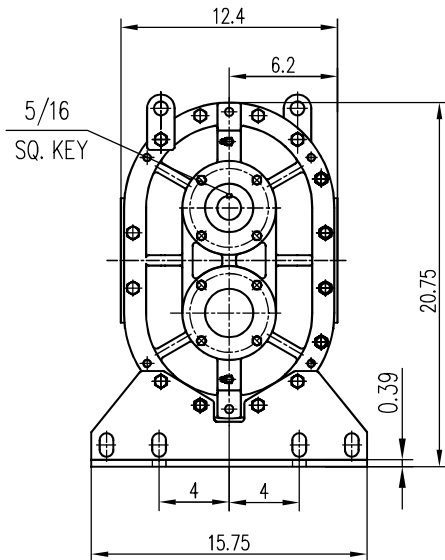
Weight: 364 LBS



# ZZ6M

## Horizontal Flow Configuration

Unit: inch



Weight: 364 LBS

